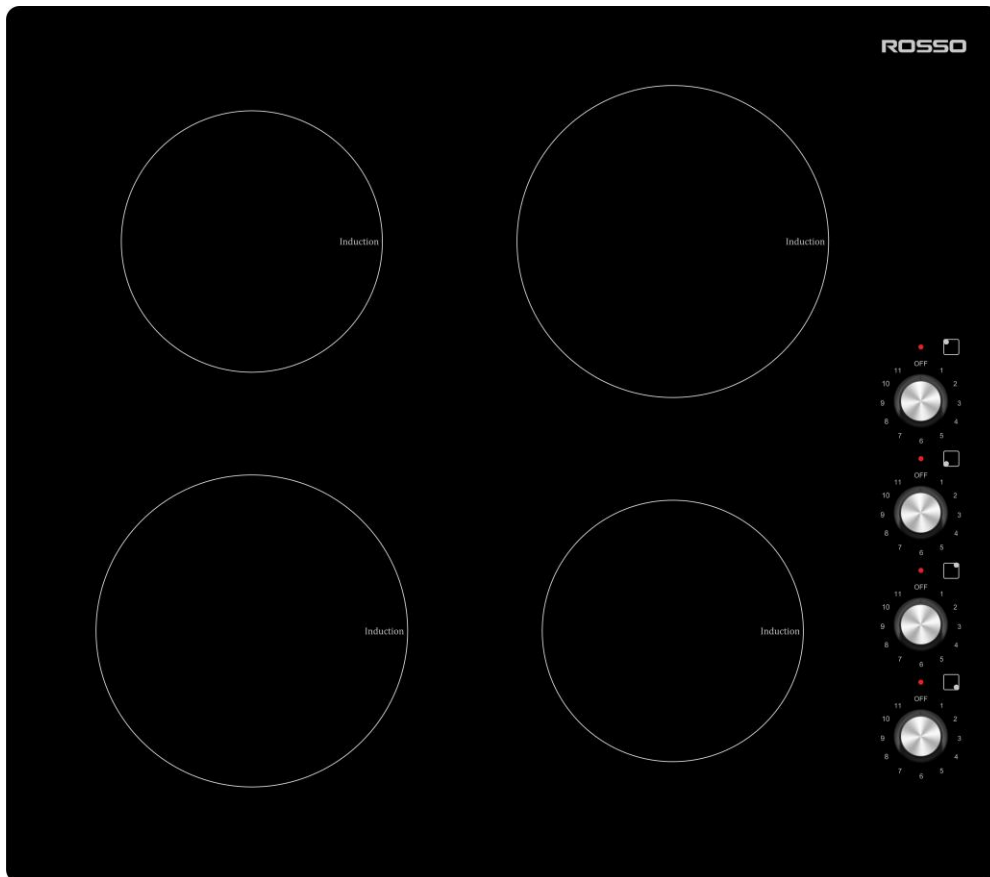


User Instruction Manual

4 Zone Induction Hob



Model number: LI4-40

Product size: 590*520mm

Built-in size: 560*490mm



CONTENTS

BEFORE USE	2
SAFETY INSTRUCTIONS	2
INSTALLATION.....	3
ELECTRICAL CONNECTION.....	4
INSTRUCTION FOR USE.....	5
TECHNICAL INFORMATION.....	7
CLEANING	7
TROUBLESHOOTING GUIDE.....	7
NOISES MADE BY THE HOB	8
AFTER-SALES SERVICE.....	8
ENERGY SAVING	8

BEFORE USE

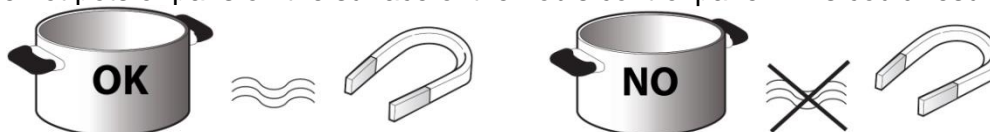
IMPORTANT: The cooking zones will not switch on if pots are not the right size. Only use pots bearing the symbol "INDUCTION SYSTEM" (Figure below) or enameled pots. Place the pot on the required cooking zone before switching the hob on.



EXISTING POTS AND PANS

Use a magnet to check if the pot is suitable for the induction hob: pots and pans are unsuitable if not magnetically detectable.

- Make sure pots have a smooth bottom, otherwise they could scratch the hob. Check dishes.
- Never place hot pots or pans on the surface of the hob's control panel. This could result in damage.



- The bottom diameter of pots or pans should be at least 10cm.

SAFETY INSTRUCTIONS

YOUR SAFETY AND THAT OF OTHERS IS VERY IMPORTANT


This manual and the appliance itself provide important safety messages, to be read and always observed.



This is the warning / caution-safety symbol, regarding safety, warning of potential risks to users and other

All messages relevant to safety specify the potential risk to which they refer and indicate how to reduce the risk of injury, damage and electric shocks due to incorrect use of the appliance. Make sure to comply with

the following:

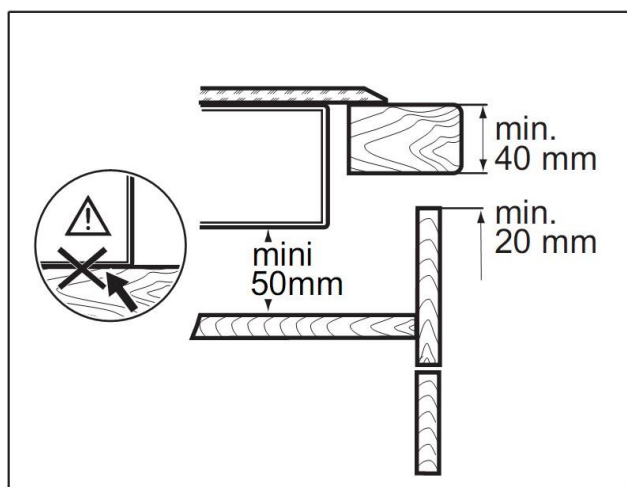
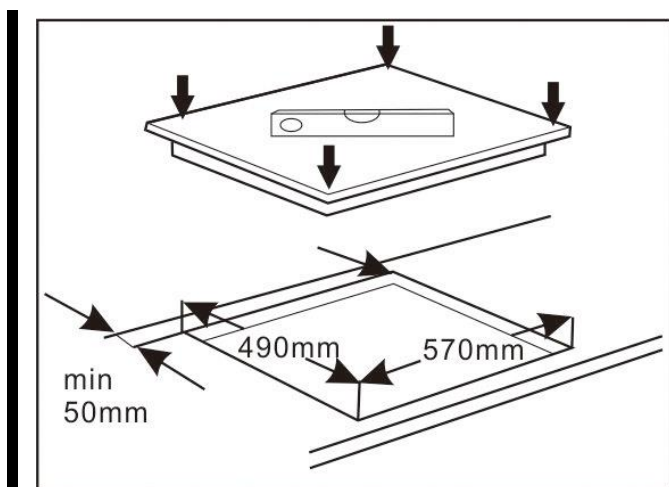
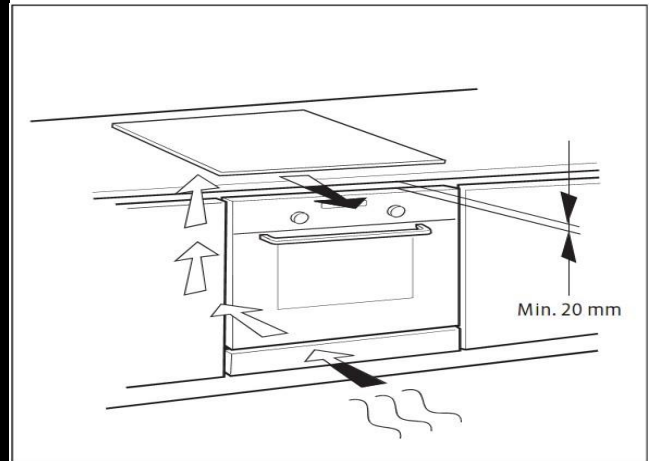
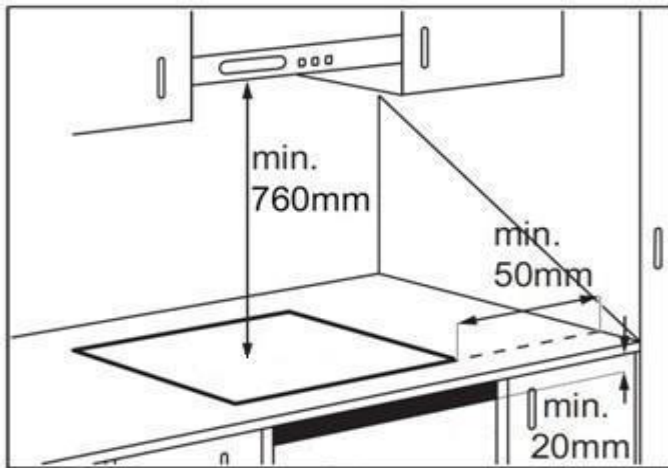
- The appliance must be disconnected from the power supply before carrying out any installation operation.
 - Installation and maintenance must be carried out by a specialized technician, in compliance with the manufacturer's instructions and the local safety regulations in force. Do not repair or replace any part of the appliance unless specifically stated in the user manual.
 - The appliance must be earthed.
 - The power cable must be long enough for connecting the appliance, fitted in the cabinet, to the power supply.
 - For installation to comply with the current safety regulations, an omnipolar switch with minimum contact gap of 3mm is required.
 - Do not use multi-sockets or extension cords.
 - Do not pull the appliance's power cable.
 - The electrical parts must not be accessible to the user after installation.
 - The appliance is designed solely for domestic use for cooking food. No other use is permitted (e.g. heating rooms). The Manufacturer declines any liability for inappropriate use or incorrect setting of the controls.
 - **WARNING:** The appliance and its accessible parts become hot during use. Care should be taken to avoid touching heating elements. Children less than 8 years old shall be kept away unless continuously supervised.
 - The accessible parts can become very hot during use. Children must be kept away from the appliance and watched over to ensure they do not play with it.
 - Do not touch the appliance heating elements during and after use. Do not allow the appliance to come into contact with cloths or other flammable materials until all the components have cooled sufficiently.
 - Do not place flammable materials on or near the appliance.
 - Overheated oils and fats catch fire easily. Pay attention when cooking food products rich in fat and oil.
 - This appliance can be used by children aged from 8 years and above and persons with reduced physical, sensory or mental capabilities or lack of experience and knowledge if they have been given supervision or instruction concerning use of the appliance in a safe way and understand hazards involved. Children shall not play with the appliance. Cleaning and user maintenance shall not be made by children without supervision.
 - An air switch or circuit breaker (not supplied) should be installed in the compartment under the appliance.
 - If the surface is cracked, switch off the appliance to avoid the possibility of electric shock.
 - The appliance is not intended to be operated by means of an external timer or separate remote control system.
 - **WARNING:** Unattended cooking on a hob with fat or oil can be dangerous and may result in fire. NEVER try to extinguish a fire with water, but switch off the appliance and then cover flame e.g. with a lid or a fire blanket.
 - **WARNING:** Danger of fire: do not store items on the cooking surfaces.
 - Do not use steam cleaners.
 - Metallic objects such as knives, forks, spoons and lids should not be placed on the hob surface since they can get hot.
 - After use, switch off the hob element by its control and do not rely on the pan detector.
-  **CAUTION!** Surface remains hot after use! Do not touch the top plate right after removing the pot or the pan, as the top plate will still be very hot.

INSTALLATION

After unpacking the product, check for any damage during transport. In case of problems, contact the dealer

or the After-Sales Service.

For built-in dimensions and installation instruction, see in below figures



- The distance between the underside of the appliance and the separator panel must respect the dimensions given in the figure (min. 50mm).
- In order to ensure the correct operation of the product, do not obstruct the minimum required clearance (min. 20 mm) on the worktop for air flow out.
- If an undertop oven is installed, make sure the oven is equipped with a cooling system.
- Do not install the hob above a dishwasher or washing-machine, so that the electronic circuits do not come into contact with steam or moisture which could damage them.

ELECTRICAL CONNECTION

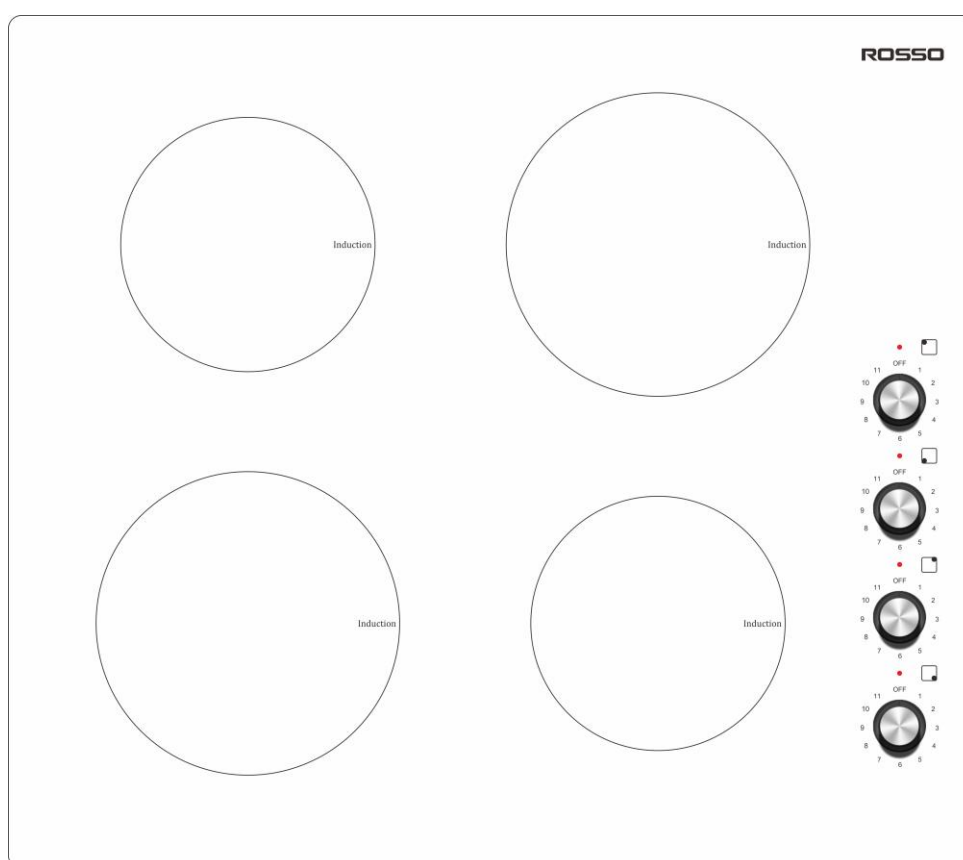


- Disconnect the appliance from the power supply.
- Installation must be carried out by qualified personnel who know the current safety and installation regulations.
- The manufacturer declines all liability for injury to persons or animals and for damage to property resulting from failure to observe the regulations provided in this chapter.

- The power cable must be long enough to allow the hob to be removed from the worktop.
- Make sure the voltage specified on the rating label located on the bottom of the appliance is the same as that of the home.

INSTRUCTION FOR USE

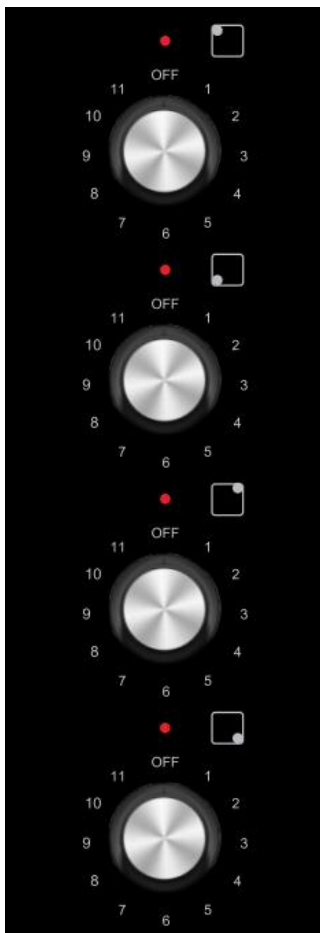
GENERAL OVERVIEW



To avoid permanently damaging the glass-ceramic top, do not use:

- Pots with bottoms that are not perfectly flat.
- Metal pots with enamelled bottom.

CONTROL PANEL LAYOUT



Operating the device

Place suitable cookware onto the cooker plate, and connect the hob to suitable socket.

Switching the hob On/Off

To switch the hob on, rotary switch from OFF to any one power level (1-11 any one is OK) and press one time the knob, the cooking zone displays light up. To switch off, rotary switch to OFF directly until the displays switch off.



Power

To warm up, turn the knob to the desired position. The setting is from 1-11.

Max. Power for each cooking zone

 max. 1200 W,  max. 1800 W,  max. 1800 W,  max. 1200 W

Extra cooking zone circle for the cooking zone bottom left and top right

Push the knob above  or above  to switch the outer cooking zone circuits on/off.

Residual heat indicator:

When the hob has been operating for some time, there will be some residual heat.

The residual heat indicator LED (Hot) warns for each cooking zone separately.



Please do not place hot pots or pans on the keypad! This could cause damage.


Auto switch off

The hob will automatically switch off when you did not set cooking time, forgot to switch off the hob, and did not operate the hob at all.

CONTROL PANEL WARNINGS

Residual heat indicator

- The hob is fitted with a residual heat indicator for each cooking zone. These indicators alert the user when cooking zones are still hot.

If the led shows  , the cooking zone is still hot. If the residual heat indicator of a given cooking zone is lit, that zone can be used, for example, to keep a dish warm or to melt butter. When the cooking zone cools down, the display goes off.

Incorrect or missing pot indicator – Error code “E0” or “A Beep”

If you are using a pot that is not suitable, not correctly positioned or not of the correct dimensions for your induction hob, the symbol “E0” or “A beep” mean “no pot” will appear in the display . If no pot is detected within 180 seconds, the hob switches off.

TECHNICAL INFORMATION

Voltage: 220 - 240 V; 50/60 Hz

Max. power: 6000W

Left up zone:1200W

Left down zone:1800W

Right up zone:1800W

Right down zone:1200W

CLEANING



- Do not use steam cleaners.
- Before cleaning, make sure the cooking zones are switched off and that the residual heat indicator (“H”) is not displayed.

IMPORTANT: Do not use abrasive sponges or scouring pads. Their use could eventually ruin the glass.

- After each use, clean the hob (when it is cool) to remove any deposits and stains due to food residuals.
- Sugar or foods with a high sugar content damage the hob and must be immediately removed.
- Salt, sugar and sand could scratch the glass surface.
- Use a soft cloth, absorbent kitchen paper or a specific hob cleaner (follow the Manufacturer’s instructions).

TROUBLESHOOTING GUIDE

- Read and follow the instructions given in the section “Instructions for use”.
- Check that the electricity supply has not been shut off.
- Dry the hob thoroughly after cleaning it.
- If, when the hob is switched on, alphanumeric codes appear on the display, consult the following table for instructions.
- If the hob cannot be switched off after using it, disconnect it from the power supply.

Error code	Possible Cause	Remedy
E0-1 Beep	No Pan or did not detect the pan	Put on the pan
E2- 2 Beep	NTC short or open	Contact the after-sales service and specify the error code
E3-3 Beep	High voltage	Contact the after-sales service and specify the error code
E4-4 Beep	Low voltage	Contact the after-sales service and specify the error code
E5-E8- 5-8 Beep	A lot of possibilities, the cooktop must be sent in for repair	Contact the after-sales service and specify the error code

NOISES MADE BY THE HOB

Induction hobs can make whistling or crackling sounds during normal operation, these actually come from the pots and pans as a result of the characteristics of the bottoms (for example, bottoms made of several layers of material, or uneven bottoms). These noises vary depending on the pots and pans used and the amount of food they contain, and are not indicative of a defect of any kind.

In addition, the induction hob is equipped with an internal cooling system to control the temperature of electronic parts; as a result, during operation and for several minutes after the hob has been switched off, the noise of the cooling fan will be audible. This is perfectly normal and indeed essential for proper functioning of the appliance.

AFTER-SALES SERVICE

Before contacting the After-sales Service:

1. See if you can solve the problem yourself with the help of the “Troubleshooting guide”.
2. Switch the appliance off and then on again it to see if the problem has been eliminated.

If the problem persists after the above checks, contact the nearest After-Sales Service.

Always specify:

- a brief description of the fault
- the product type and exact model
- your full address
- your telephone number

If any repairs are required, contact an authorized After-Sales Service Centre (to ensure the use of original spare parts and correct repairs). Spare parts are available.

Energy saving

For optimum results, it is advisable to:

- Use pots and pans with bottom width equal to that of the cooking zone.
- Only use flat-bottomed pots and pans.
- When possible, keep pot lids on during cooking.
- Use a pressure cooker to save even more energy and time.
- Place the pot in the middle of the cooking zone marked on the hob.