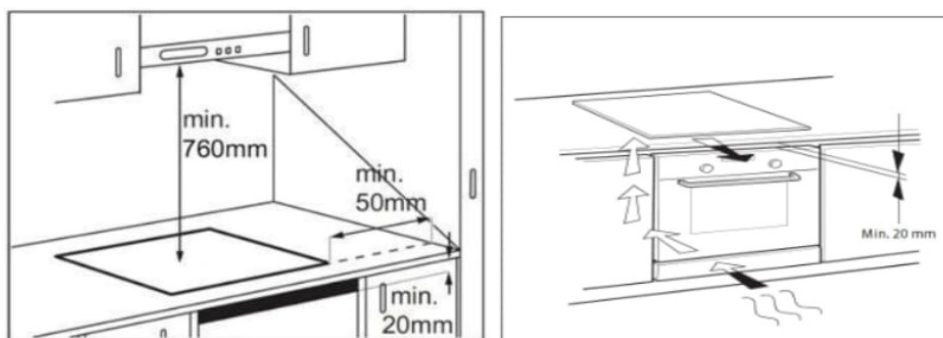


ROSSO 60 INDUCTION HOB INSTALLATION GUIDE

INSTALLATION

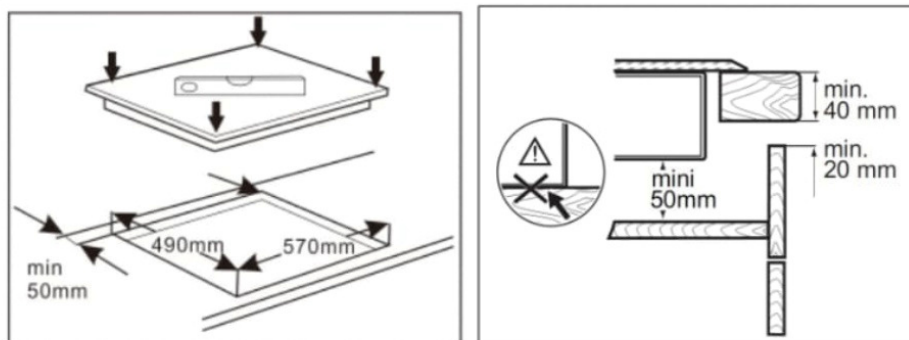
After unpacking the product, check for any damage during transport. In case of problems, contact the dealer or the After-Sales Service.

For built-in dimensions and installation instruction, see in below figures



1

4



The distance between the underside of the appliance and the separator panel must respect the dimensions given in the figure (min. 50mm).

In order to ensure the correct operation of the product, do not obstruct the minimum required clearance (min. 20 mm) on the worktop for air flow out.

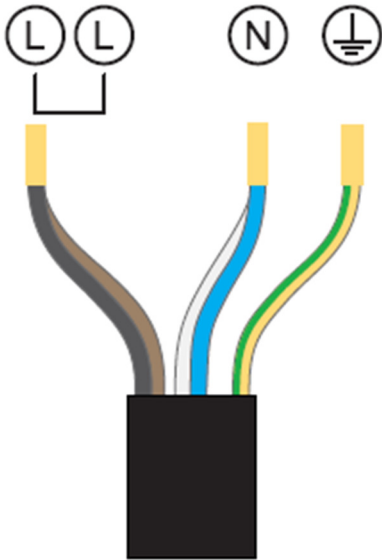
If an undertop oven is installed, make sure the oven is equipped with a cooling system.

Do not install the hob above a dishwasher or washing-machine, so that the electronic circuits do not come into contact with steam or moisture which could damage them.

Wiring Guide

1 x 220-240V~

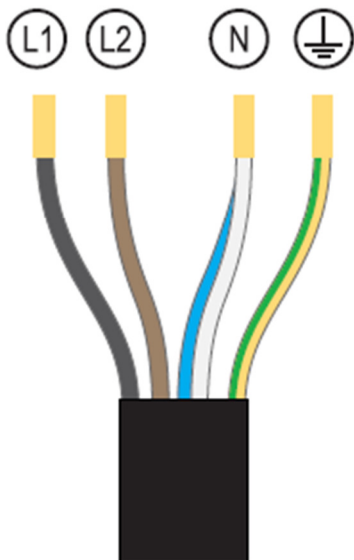
32A



Device is **not** suitable for operation with an EU plug!

2 x 230V 2N~

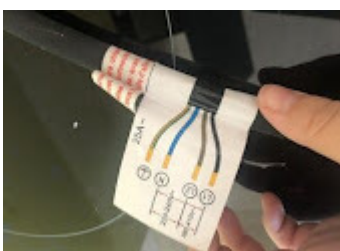
16A



Note:

Hob blue and white connect in box on blue clamp.
Black on L1, brown on L2.
blue and white do **not** disconnect!

If you are not sure, please **contact customer service**.



DO'S :

- USE INDUCTION POTS & PANS
- USE PLASTIC OR WOODEN UTENSILS
- CLICK DOWN KNOB BEFORE USE
- CLEAN MOISTURE FROM TOP

DON'TS :

- USE METAL UTENSILS
- MOVE POTS OR PANS WHILE USING HOB